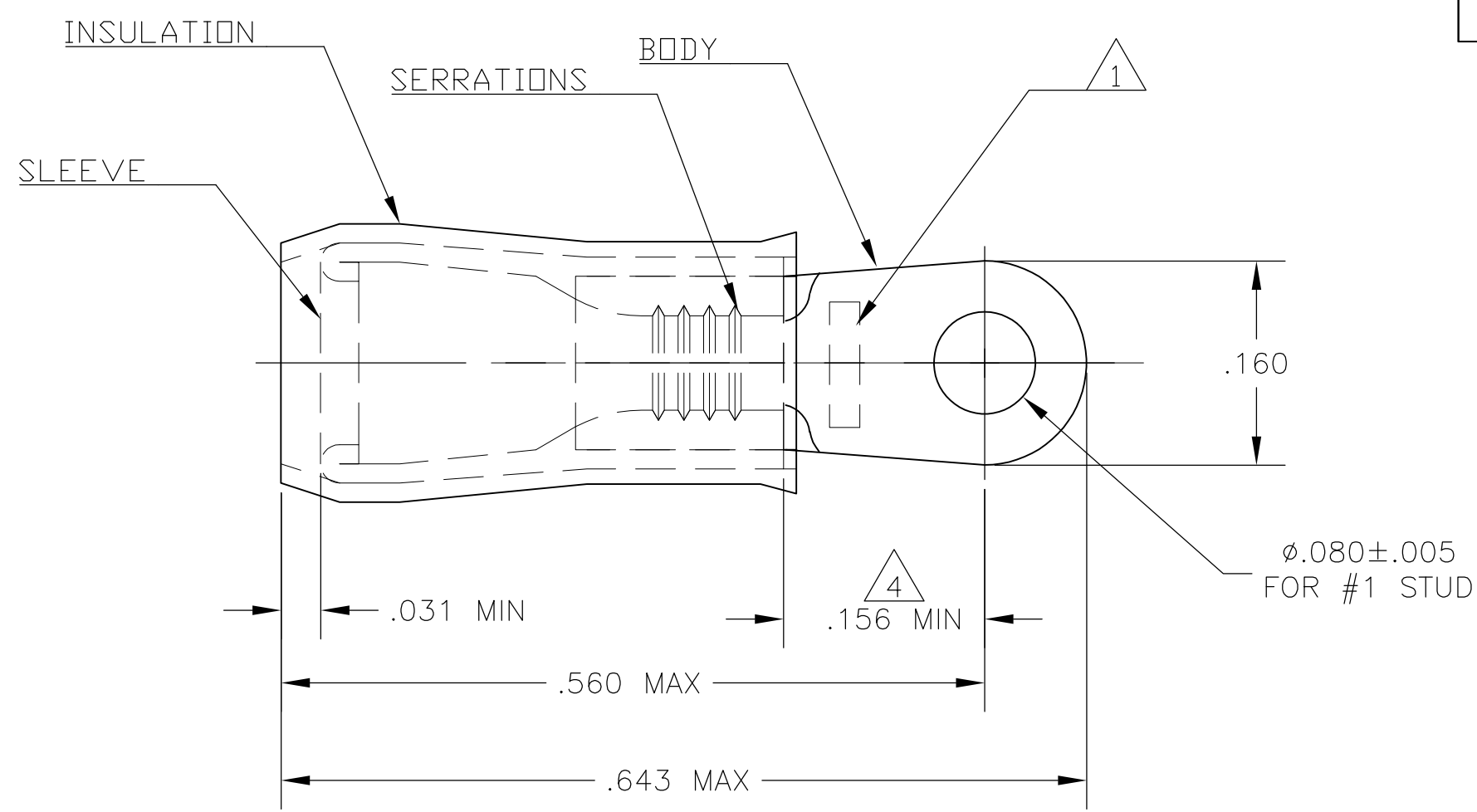


THIS DRAWING IS UNPUBLISHED. RELEASED FOR PUBLICATION  
 © COPYRIGHT BY TYCO ELECTRONICS CORPORATION. ALL RIGHTS RESERVED.

LOC	DIST	REVISIONS					
G	14	P	LTR	DESCRIPTION	DATE	DWN	APVD
			H1	REDRAWN PER ECR 09-016745	28JUL09	JR	TM

<b>AMP</b> WIRE RANGE	Listed FILE E13288	LR7189 Certified
22-16 AWG SOLID OR STRANDED	22-16 AWG SOLID OR STRANDED	22-16 AWG SOLID OR STRANDED



- 1 STAMP "AMP 22-18\* " MARKING 22-18 FOR MILITARY COMMERCIAL RANGE 22-16
- 2 FOR .080-.125 WIRE INSULATION DIA
- 3 TONGUE MATL THK IS .031±.002
- 4 APPLIES FROM THE METAL EDGE OF THE BARREL TO THE CENTER OF THE STUD.

1	327174 ON TAPE	BODY: COPPER PER ASTM B-152 TIN PL PER ASTM B-545 SLEEVE: COPPER PER ASTM B-152 INSULATION: NYLON - RED	2-327174-1
1	LOOSE PIECE		327174
QTY	PACKAGING TYPE	MATERIAL & FINISH	PART NO

<b>AMP INCORPORATED CUSTOMER SERVICE SYSTEMS</b>		MAX RECOMMENDED OPERATING TEMPERATURE: 105°C [221°F]
FOR ADDITIONAL PRODUCT INFORMATION OR COPIES OF DRAWINGS AND TECHNICAL DOCUMENTS	PRODUCT INFORMATION CENTER 1-800-522-6752	VOLTAGE RATING: 300V MAX
FOR APPLICATION TOOLING INFORMATION	TOOLING ASSISTANCE CENTER 1-800-722-1111	CIRCULAR MIL AREA: 0.26-1.65mm² [509-3260] SOLID OR STRANDED
FOR ORDER ENTRY	1-800-526-5142	THIS DRAWING IS A CONTROLLED DOCUMENT FOR AMP INCORPORATED. IT IS SUBJECT TO CHANGE AND THE CONTROLLING ENGINEERING ORGANIZATION SHOULD BE CONTACTED FOR THE LATEST REVISION.

THIS DRAWING IS A CONTROLLED DOCUMENT.	
DIMENSIONS: MM [ INCHES ]	TOLERANCES UNLESS OTHERWISE SPECIFIED:
	0 PLC ± -
	1 PLC ± -
	2 PLC ± -
	3 PLC ± -
	4 PLC ± -
	ANGLES ± 5'
MATERIAL	FINISH
-	-

DWN jr_ruth 28JUL09	Tyco Electronics Corporation Harrisburg, PA 17105-3608
CHK TOM MICHIELUTTI 28JUL09	
APVD TOM MICHIELUTTI 28JUL09	
PRODUCT SPEC	
NAME	RING TONGUE, PIDG, WIRE SIZE: 22-16
APPLICATION SPEC	-
WEIGHT	-
CUSTOMER DRAWING	SCALE 8:1 SHEET 1 OF 1 REV H1